

SPEEDSTER TONNEAU COVER 1994-2004 Mustangs

Installation of Aluminum Bracket A

1. Remove the factory plastic trim screws (See figure 1, location L1).
2. Place aluminum bracket A with its hole behind the trim panel and the metal (See figure 2).
3. Screw in the Phillips head bolt #1 through the factory hole to where the plastic screw was into the aluminum bracket A.

Installation of Metal Bracket B

1. Remove the factory Torx-45 bolt (See Figure 3 L3). This bolt is located about 4 inches below the trim panel. It is a 3/8 bolt with a round head and a star (Torx-45).
2. Install metal Bracket B reusing the factory Torx bolt. The Bracket B must touch the underside of bracket A and the 1/4 inch holes must line up.

Installation of Rubber Socket C

1. Install the Rubber Socket C on top of Bracket A (See figure 4). Place it with the indentation towards bolt #1. Push it hard towards bolt #1 and install bolt #2 through the rubber Socket C, brackets A and B. Install the washer #3 and the nut #4.

Installation of Tonneau Covers

1. Install rubber molding on the edge of the tonneau covers.
2. Place the covers on the car with the plastic tabs going underneath the black trim at the back (See figure 1, #2)
3. Align the two bolts on one side of the tonneau cover with the holes on the other tonneau cover and fasten with the supplied plastic knobs.
4. Install the black bar into the rear seat belt into the rear seat belt receiver. Push the bolt on the pedestal through the front hole of the tonneau cover and fasten it with the provided plastic knob.
5. Push the tonneau covers into the rubber sockets.
6. For removal reverse the above order.

Speedster Tonneau Cover Installation Instructions

Figure 1

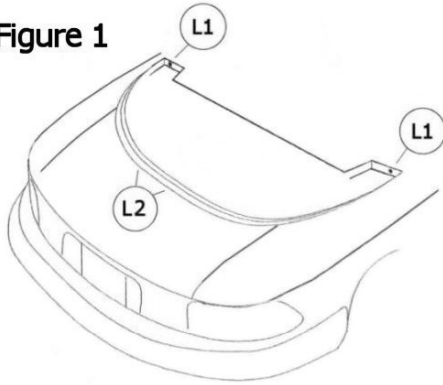


Figure 2

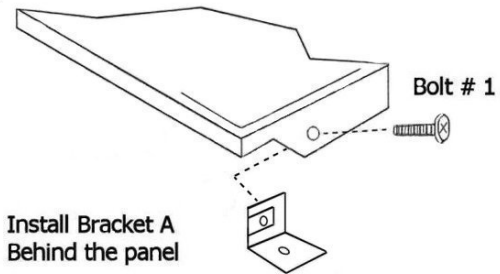


Figure 3

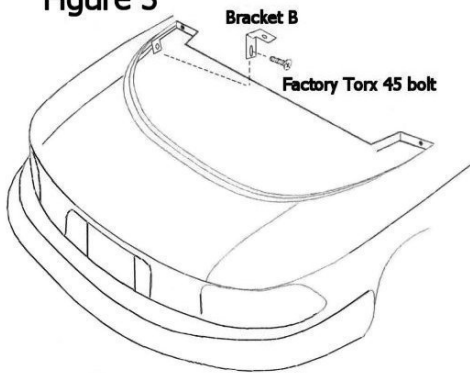
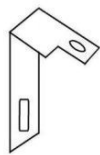
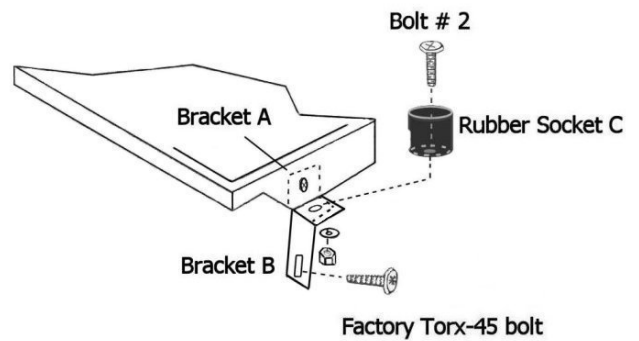


Figure 4



Bracket B driver side (1 X)



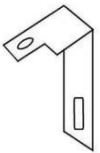
1/4" nut (2 X)



Bracket A (2 X)



**Bolt 2 phillips head
1/4 " x 3/4" bolt (2 X)**



Bracket B passenger side (1 X)



1/4" washer (2 X)

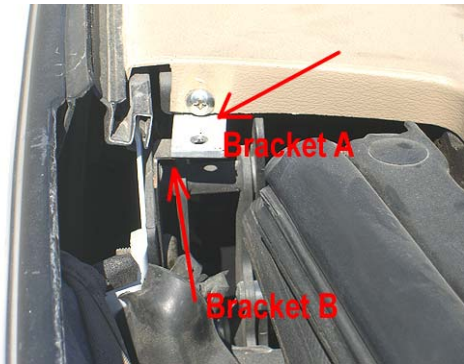


Rubber socket (2 X)



**Bolt 1 phillips head
1/4 " x 1" bolt (2 X)**

1. Install two brackets at existing mounting point, no drilling required.



2. Install rubber socket on brackets.



3. Ball stub shown under the cover.



4. Plastic tabs shown underneath cover.



5. Installing cover by sliding back plastic tabs under black molding of car.



6. Installing front by pushing plastic ball studs into rubber sockets.

